

# AMPIRE®

# SC130 SC165

German Engineering. Out of the ordinary.

---



## Owner's Manual

*English*



Before attempting to connect or operate this product, please read the instructions completely.

## Precautions

- Pay utmost attention if you install the loudspeakers into the driver's compartment.
- Use only on minimum 4 ohm stable devices.
- Make the correct connections.
- Do not damage pipe or wiring when drilling holes.
- Arrange the wiring so it is not crimped or pinched by a sharp metal edge.
- Do not install the loudspeakers in locations which might hinder vehicle operations and do not install in locations with any moisture. Use the installation materials provided with the amplifier.
- Warning! Loudspeakers may produce sound pressure levels that exceed the threshold at which hearing loss may result. They may also impair a driver's ability to hear traffic sounds or emergency vehicles. Practice safe listening when listening to your audio system. This loudspeakers are developed for motor vehicle use only.

## Warranty

12 month warranty for commercial use and 24 month warranty for private use only. The location of buying (point of purchase) must be within the EU. The proof of warranty is the original cashiers receipt with date and type of item on it. The owners manual and installation instructions must be observed. No warranty of destruction by wrong installation, wrong operation, non regulated use, using of unsuitable accessories, electrical shocks, fire, moisture or smoke, damage by improper service and cleaning. Warranty repairs are free of charge. No refund of shipping costs or labour as well as subsequent damages. Complaints and repairs do not extend the warranty period.

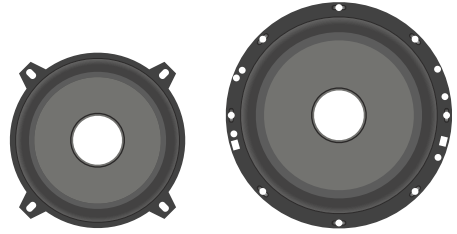
## Environmental Reference

- Old electronic devices don't belong into the bin.
- If you want to dispose this equipment later, remove all cables and send it back to Ampire.
- You can dispose this device together with your old car, too. You don't have to remove it in this case.
- The packing can be recycled. Dispose the packing in a collecting system planned for it.



## Woofers Installation

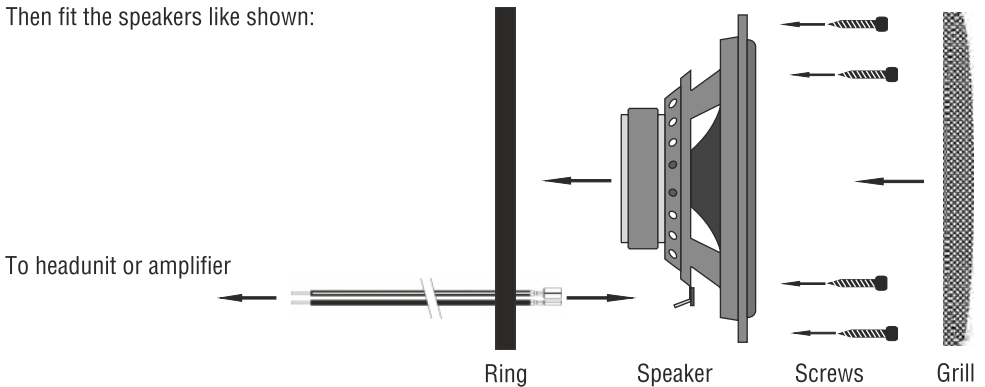
Connect the speaker outputs of your radio or amplifier to the woofers plus (4,8mm) and minus (2,8mm) terminals. Be sure of right connections.



SC130 Woofer

SC165 Woofer

Then fit the speakers like shown:

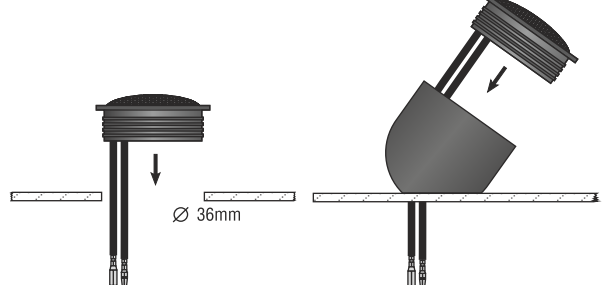


## Tweeter Installation

Install the tweeters like shown. Then connect the tweeter cables to the terminals of the crossovers. Connect the crossover "In" terminals to the 4,8mm and 2,8mm terminals of the woofer. Be sure of right connections. Do not install the crossovers in locations which might hinder vehicle operations.

In Dash

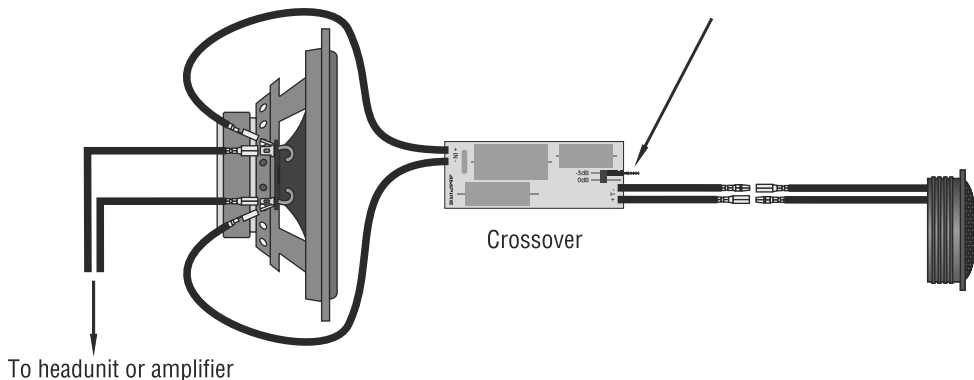
On Dash



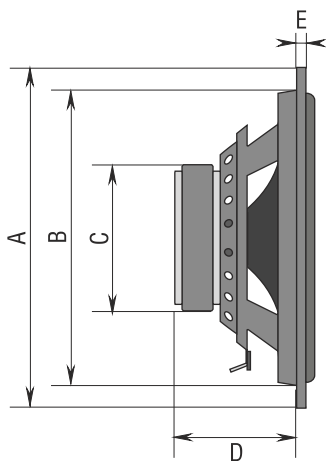
# Connections

## Tweeter Adjustments:

The tweeter level is adjustable to 0dB or -3dB. To adjust the tweeter level please connect the black jumper to the 0dB or -3dB position to make the desired setting.



# Dimensions



	<b>SC130</b>	<b>SC165</b>
A	130mm	165mm
B	112mm	143mm
C	71mm	71mm
D	54mm	61mm
E	7mm	4mm

## Technical Specifications

<b>Woofer</b>	<b>SC130</b>	<b>SC165</b>
Fs / Hz	72	60
VAS / L	7,2	12,8
Qts	0,59	0,54
Qes	0,70	0,62
Qms	3,81	4,57
Re / $\Omega$	3,2	3,6
Z / $\Omega$	4,0	4,0
SPL / dB	88	89
Xmax / mm	5,0	5,0
Sd / cm <sup>2</sup>	83,0	127,0
Vd / cm <sup>3</sup>	41,5	63,5
D / mm	103	127
Pe / Watt	60 / 120	60 / 120

---

Langwadener Straße 60  
D-41516 Grevenbroich  
Email: [info@ampire.de](mailto:info@ampire.de)

Technical Support:  
Phone: 02181-81955-0  
Email: [support@ampire.de](mailto:support@ampire.de)

**[www.ampire.de](http://www.ampire.de)**